



CONSTRUCTION
INDUSTRY
MANUFACTURERS
ASSOCIATION

063

Hammer

Hydraulic breaker

Mining
Demolition
Rock Breaking
Road Construction



S&J Equipment Inc.

50500 Design Lane
Shelby Twp., MI 48315

T. 586-533-8341
s2jequipment@yahoo.com

HYDRAULIC BREAKER

Robust design
Majestic power
Low noise & less vibration

Silence(BOX)

Silence(Top plate)

Top adapter

Trench



82dB



89dB



SJ Silence (=Box)type

Compact

SJ BOX	UNIT	SJ-50	SJ-70	SJ-100	SJ-210	SJ-300	SJ-400	SJ-500	SJ-600
WT.	kg	100	134	148	186	304	405	530	880
	lb	220	295	326	409	625	891	1168	1936
Length	mm	1087	1215	1285	1363	1682	1684	2068	2361
	inch	42.8	47.8	50.6	53.7	66.2	66.3	81.4	93
Operating pressure	bar	80~100	100~120	100~120	110~130	140~160	140~160	120~150	150~170
	psi	1160~1450	1450~1740	1450~1740	1595~1885	2031~2321	2031~2321	1707~2133	2176~2466
Required oil flow	ℓ/min	10~20	15~25	25~40	25~45	30~45	40~70	60~100	80~120
	gal/min	2.6~5.3	4.0~6.6	6.6~10.6	6.6~11.9	7.9~11.9	10.8~18.4	15.8~26.4	21.1~31.7
Impact rate	bpm	700~1200	700~1200	550~1000	500~900	500~800	400~800	400~800	400~700
Impact energy (I J = 0.7376 ft-lb)	joule	180	254	286	447	620	945	1029	2630
	ft-lb	133	187	211	330	457	697	759	1940
Hose diameter	mm	9	12	12	12	12	12	19	19
	inch	3/8	3/8	1/2	1/2	1/2	1/2	3/4	3/4
Tool diameter & weight	mm	36	45	53	60	68	75	85	100
	inch	1.4	1.8	2.0	2.2	2.7	3.0	3.3	3.9
	kg	4	6	10	14	18	26	40	60
Excavator	ton	0.8~2.5	1.2~3.0	2.5~4.5	3.0~5.5	4.0~7.0	6~9	7~12	11~16
	m ³	under 0.04	0.03~0.07	0.06~0.1	0.08~0.2	0.15~0.25	0.2~0.4	0.3~0.5	0.45~0.6
	ft ³	under 1.4	under 2.5	2.2~3.5	2.5~7	5.3~8.8	7.0~14.1	10.6~17.7	16~21.2



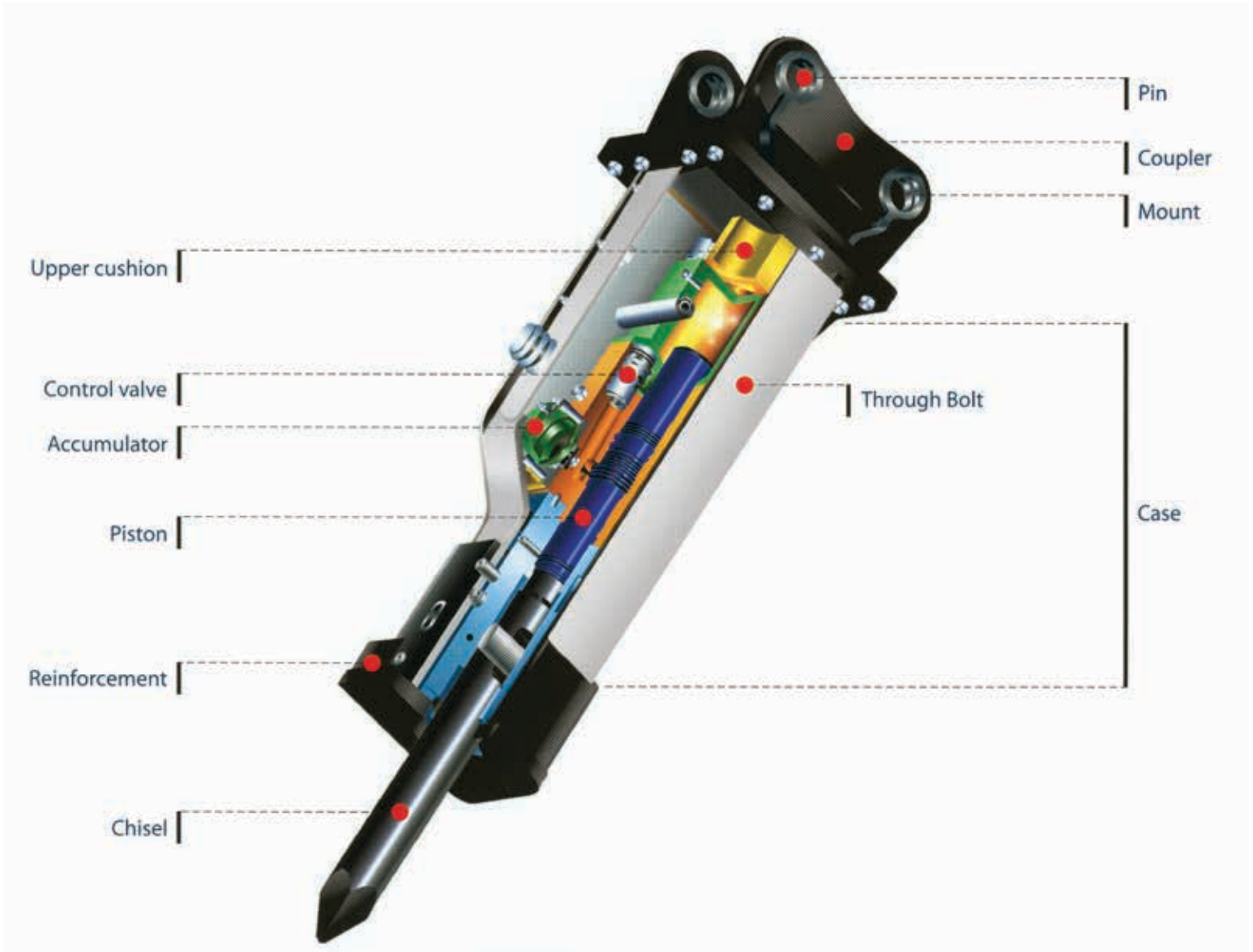
The most productive,
Innovative and reliable
equipment for building and
demolishing in construction fields.

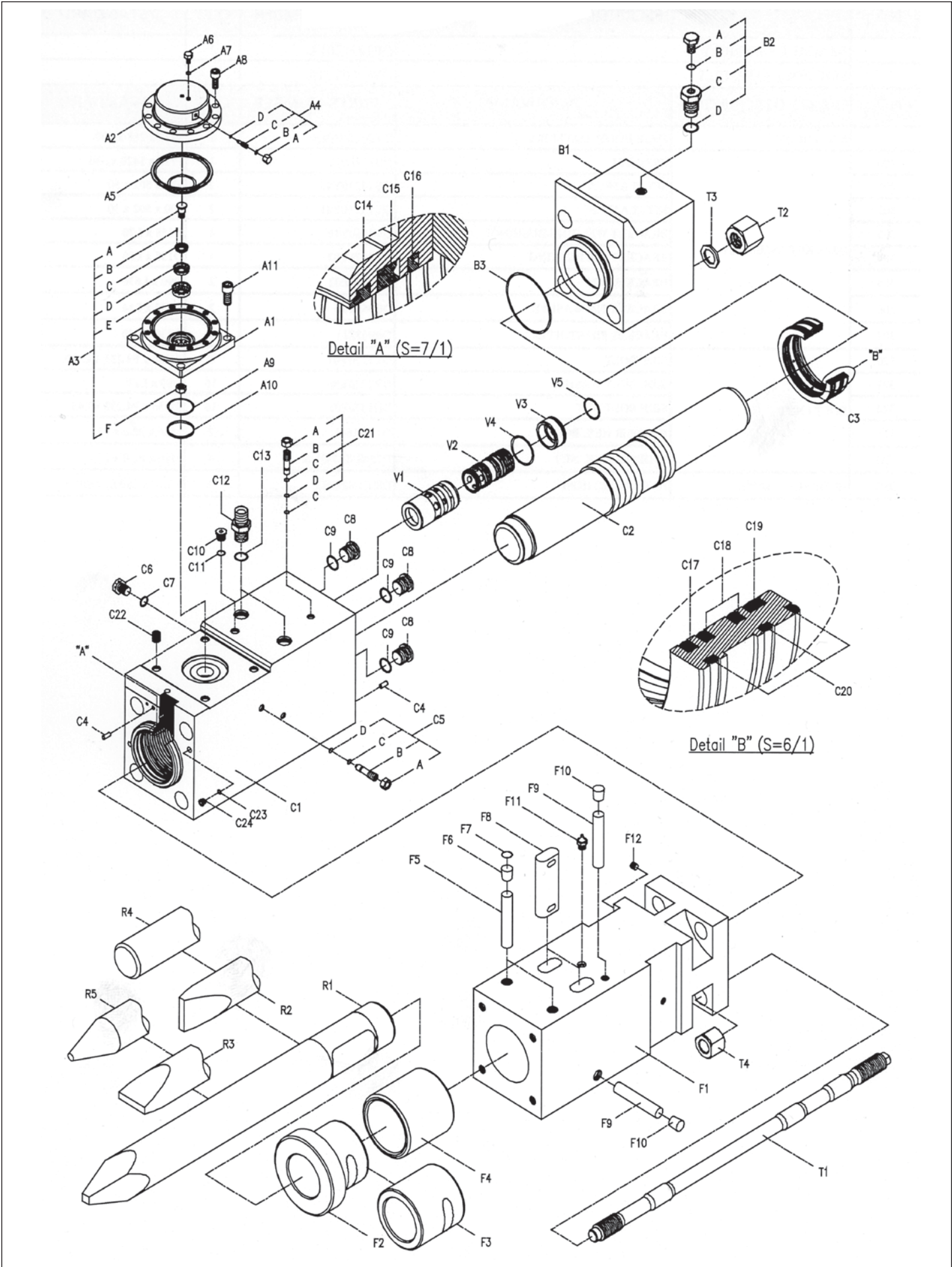
Top direct(= Uniram)

Top adapter



SJ BOX	UNIT	Medium			Heavy	
		SJ-700	SJ-760	SJ-800	SJ-1200	SJ-1500
WT.	kg	1307	1462	1903	2495	3957
	lb	2750	3223	4187	5410	8763
Length	mm	2615	2701	2822	3306	3838
	inch	103	106.3	111.1	130.2	151.1
Operating pressure	bar	150~180	160~180	160~180	160~180	160~180
	psi	2176~2610	2320~2610	2320~2610	2320~2610	2320~2610
Required oil flow	ℓ/min	100~140	100~150	130~170	170~230	200~300
	gal/min	26~36	26~39.6	34.3~44.9	45~62	52.8~79.3
Impact rate	bpm	400~600	400~600	400~600	300~400	250~350
Impact energy (1 J = 0.7376 ft-lb)	joule	5011	5901	7329	13557	16269
	ft-lb	3696	4353	5406	10000	12000
Hose diameter	mm	25	25	25	32	32
	inch	1	1	1	1 1/4	1 1/4
Tool diameter & weight	mm	125	135	140	155	175
	inch	4.9	5.3	5.4	6.1	6.9
	kg	97	112	133	180	247
Excavator	ton	15~20	16~22	21~29	30~43	42~60
	m ³	0.5~0.8	0.7~0.9	0.8~0.9	1.2~1.9	1.8~3.2
	ft ³	19~31	25~32	28~45	45~67	64~113





Combination / Multi-processor (One/Two-point type)

15. Combination (COMBI)

Combination is one-cylinder type of combination-processor for high level performance.

- Three different jaw sets – for shearing, demolition and pulverizing (no crusher)
- Interchangeable jaws offer the flexibility with minimum investment.



16-1. Multi – processor (M)

Two Cylinder Attachment (Jaw exchange)

One-point type Rotation



16-2. Multi - processor (M)

Two Cylinder Attachment (Jaw exchange)

Two-point type Rotation



Combination / Multi-processor (One/Two-point type)

15. Combination (COMBI)

		Combi 230R Series			Combi 330R Series		
Pulverizer	Unit	S230R	D230R	P230R	S330R	D330R	P330R
Operating Weight	kg	2,100	2,000	2,150	2,600	2,700	2,800
	lb	4,630	4,410	4,740	5,732	5,952	6,172
Overall Length	mm	2,148	2,136	2,234	2,250	2,240	2,380
	Inch	84,56	84	87,95	88,58	88,19	93,70
Overall Width	mm	1,182	1,249	1,354	1,220	1,280	1,400
	Inch	46,54	49	53,31	48,03	50,39	55,12
Max. Opening Width	mm	520	758	890	610	710	910
	Inch	20,47	30	34,65	24,02	27,95	35,83
Cutter Length	mm	120 x 4EA	120 x 4EA	200	120 x 4EA	120 x 4EA	200
	Inch	4,72 x 4EA	4,72 x 4EA	7,87	4,72 x 4EA	4,72 x 4EA	7,87
Crushing Force & Cutting Force	ton(A)	63	79	53	85	83	69
	ton(B)	87	117	72	115	118	96
	ton(C)	108	170	97	142	165	125
	ton(D)	172	48	145	217	197	179
	ton(E)	-	-	165	-	-	225
Suitable Excavator	ton	18 ~ 26			26 ~ 32		

16-1. Multi - processor (M)

		Multi 230R - II Series				Multi 330R - II Series			
Pulverizer	Unit	S230R-II	C230R-II	D230R-II	P330R-II	S330R-II	C330R-II	D330R-II	P330R-II
Operating Weight	kg	1,760	1,680	1,760	1,760	2,900	2,750	2,900	2,900
	lb	3,880	3,704	3,880	3,880	6,393	6,063	6,393	6,393
Overall Length	mm	2,072	1,942	1,956	2,024	2,750	2,660	2,745	2,745
	Inch	81,57	76,46	77,09	79,69	108,3	104,7	108	108
Max. Opening Width	mm	522	886	915	890	603	1,163	1,026	968
	Inch	20,55	34,88	36	35,04	24,0	45,79	40,4	38,11
Cutting Force at Middle	ton	127	108	127	108	205	175	205	175
Operating Pressure	kg/cm ²	300				320			
	psi	4,226				4,550			
Oil Flow Rate	LPM	200-250				250-300			
	GPM	52,8-66,1				66,1-79,2			
Motor Setting Pressure	kg/cm ²	160				160			
	psi	2,275				2,275			
Motor Oil Flow Rate	LPM	36-40				36-40			
	GPM	9,5-10,5				9,5-10,5			
Revolving Speed	RPM	13-15				13-15			
Excavator	ton	18-26				26-32			

16-2. Multi - processor (M)

		Multi 201R - II Series				Multi 301R - II Series			
Pulverizer	Unit	S201R-II	C201R-II	D201R-II	P201R-II	S301R-II	C301R-II	D301R-II	P301R-II
Operating Weight	kg	1,760	1,680	1,760	1,760	2,800	2,630	2,800	2,800
	lb	3,880	3,704	3,880	3,880	6,173	5,798	6,173	6,173
Overall Length	mm	2,072	1,942	1,956	2,024	2,434	2,418	2,430	2,430
	Inch	81,57	76,46	77,09	79,69	95,83	95,20	95,7	95,7
Max. Opening Width	mm	522	886	915	890	603	1,163	1,026	968
	Inch	20,55	34,88	36	35,04	24,0	45,79	40,4	38,11
Cutting Force at Middle	ton	127	108	127	108	197	171	197	171
Suitable Excavator	ton	18-26				26-32			



S&J Equipment Inc.

50500 Design Lane
Shelby Twp., MI 48315

T. 586-533-8341
s2equipment@yahoo.com

